

GST-90 / 115 Stainless Steel Hatch Pull

Features

- Ideal for use in places where projection from surface is not permitted, such as switch boards and inspection ports
- Built-in spring prevents handle from hanging out
- Vertical use and ceiling mount are possible

Material

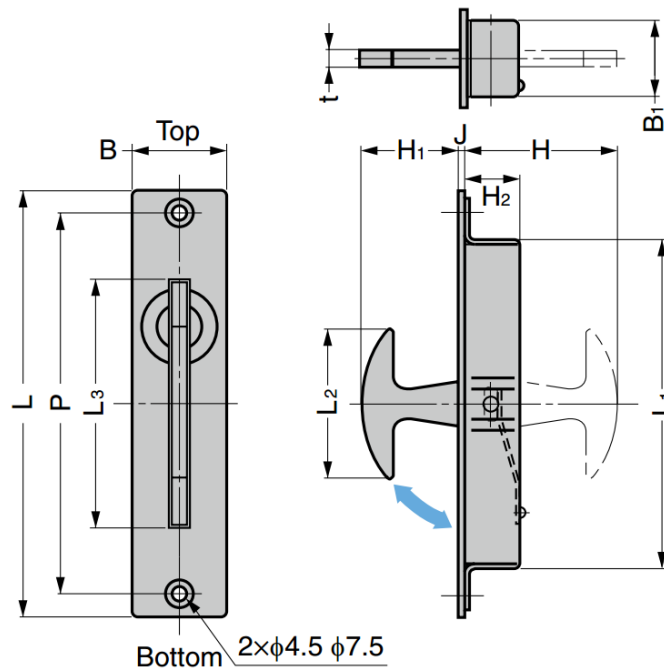
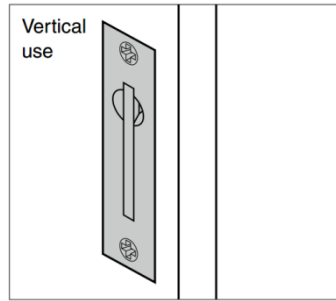
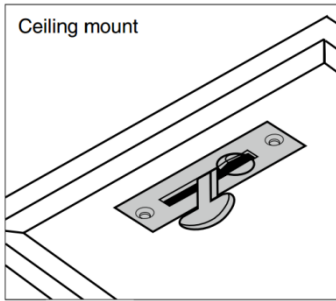
- Stainless steel 304, satin finish

Notes

- For vertical use and ceiling mount only, do not use on the floor

Parts Included

- **GST-90:** Countersunk head wood screw 3.5×22 (SUS)
- **GST-115:** Countersunk head wood screw 3.5×25 (SUS)



Part No.	L	L ₁	L ₂	L ₃	H	H ₁	H ₂	J	B	B ₁	t	P
GST-90	90	66.2	30.2	57	35.5	23.2	10.5	2.2	22	18.5	3.8	80
GST-115	115	86.2	40	67	42	26	13	2.5	25	20	4	102